

Vacuum Packers

Vacuum packer 8m³/h table top (UK plug)

ITEM # _____

MODEL # _____

NAME # _____

SIS # _____

AIA # _____



602211 (EVP08D)

* NOT TRANSLATED *

Main Features

- Table-top vacuum packer with oil lubricated vacuum pump.
- Vacuum level control through high-precision, absolute-type vacuum sensor, which does not require calibration.
- Pressure chamber made of constant thickness, hydroformed, stainless steel with rounded corners for easy cleaning.
- Sturdy, transparent PMMA (plexiglass) lid with rounded edges; opens automatically at the end of the cycle.
- Control panel, resistant to liquids, humidity, dirt and dust.
- 10 editable user programs (vacuum, extra vacuum, sealing time).
- 1 vacuum cycle for jars/containers.
- Adjustable sealing time 0.1 to 6 seconds.
- Specific pump oil cleaning cycle (H2Out).
- Automatic warnings if food needs cooling down (hot), failure in the packing process, gas missing, oil change.
- Pre-arranged for external vacuum packing in containers by connecting a specific pipe to the air extraction nozzle (available as spare part).
- 2 PE filling plates included.
- Sealing bar 310 mm, easily removable for cleaning.

Construction

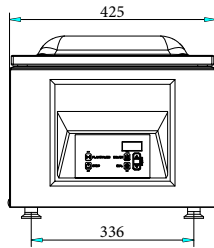
- Entirely constructed in 304 AISI stainless steel.
- Easy access for service through hinged opening of the body.

Optional Accessories

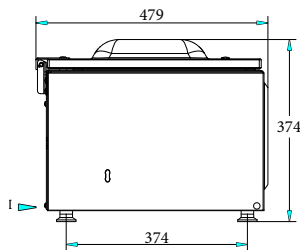
- - NOT TRANSLATED - PNC 650239
- - NOT TRANSLATED - PNC 650240
- - NOT TRANSLATED - PNC 650243

APPROVAL: _____

Front

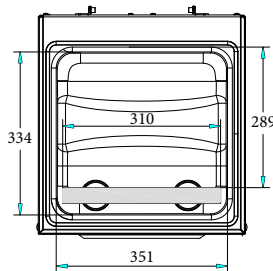


Side

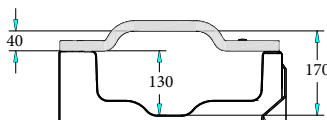


EI = Electrical inlet (power)

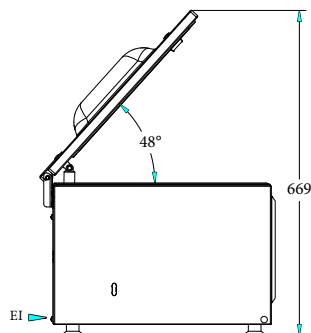
Top



Other



Perspective



Electric

Supply voltage:

602211 (EVP08D) 220-240 V/1N ph/50-60 Hz

Total Watts:

0.6 kW

Plug type:

UK-13A

Key Information:

Well Capacity:

14.1 lt

Pump:

 8 m³/h

Sealing bar position:

Front

Sealing bar length:

310 mm

Max chamber (chamber + cover) dimensions:

334 x 351 x 170 mm

Chamber working dimensions:

289 x 347 x 130 mm

Filling board nr:

2

Gas nozzles:

no gas

External dimensions, Width:

425 mm

External dimensions, Depth:

479 mm

External dimensions, Height:

374 mm

Net weight (kg):

35.5